

# BB9261 v1.1 - Base Board for PM9261

Recommended SODIM200 2.5V connectors:

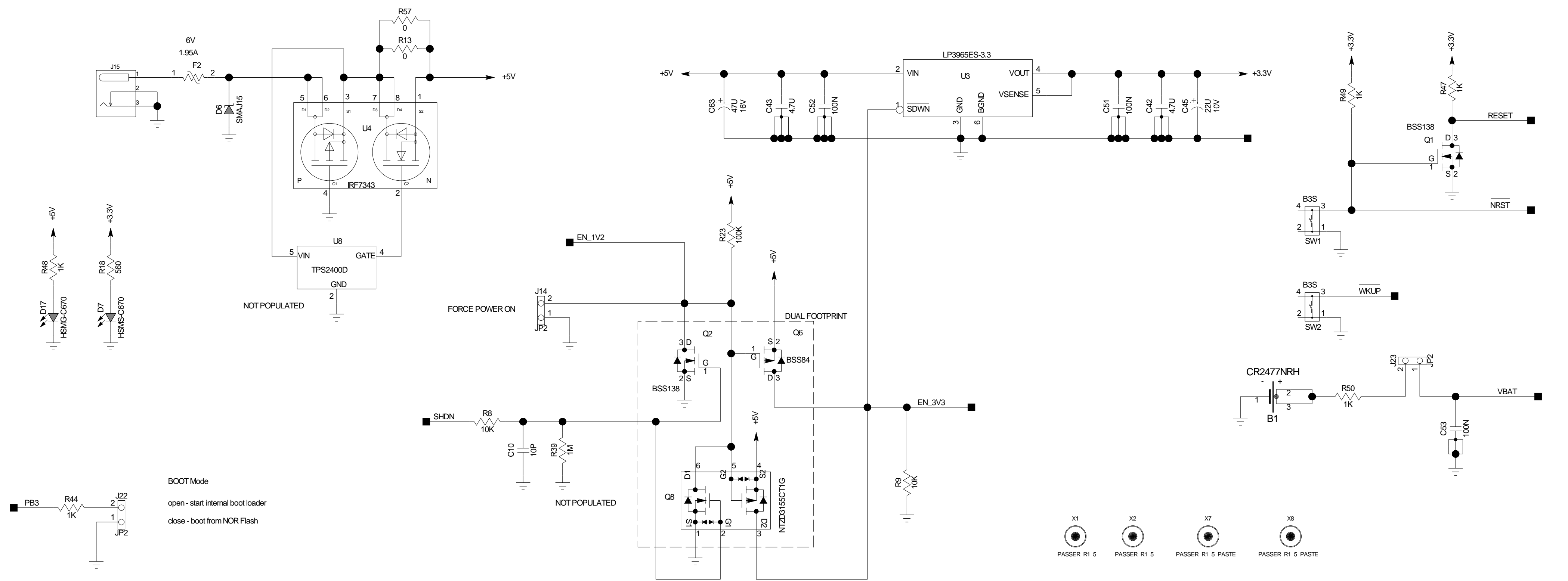
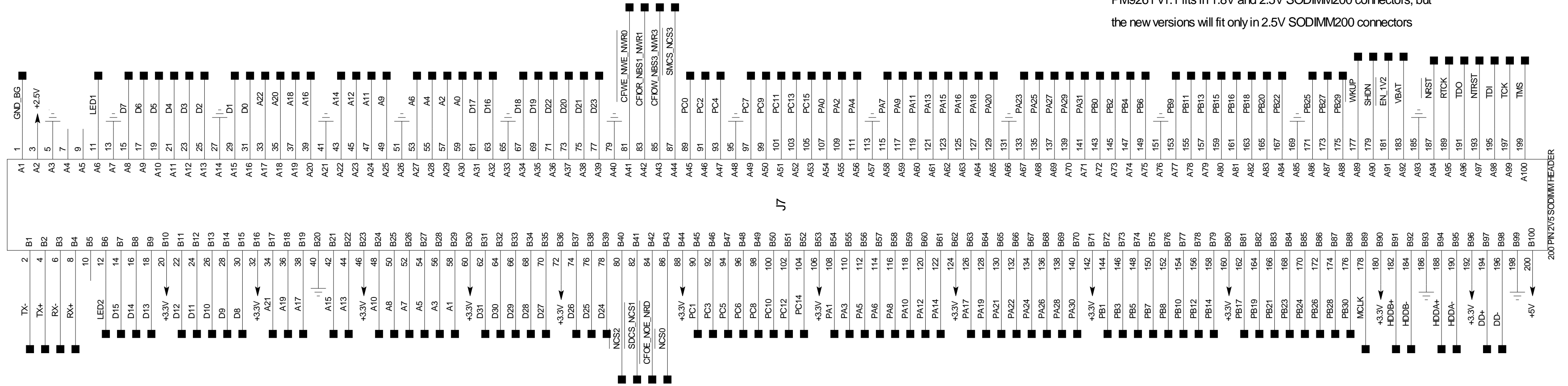
FCI 59354-052FSLF

JAE MM50-200B1-1E

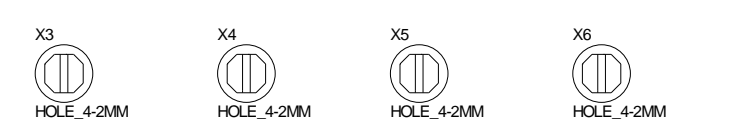
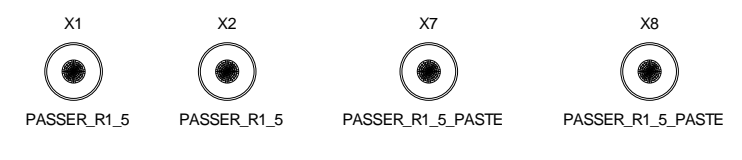
NOTE:

PM9261 v1.1 fits in 1.8V and 2.5V SODIMM200 connectors, but

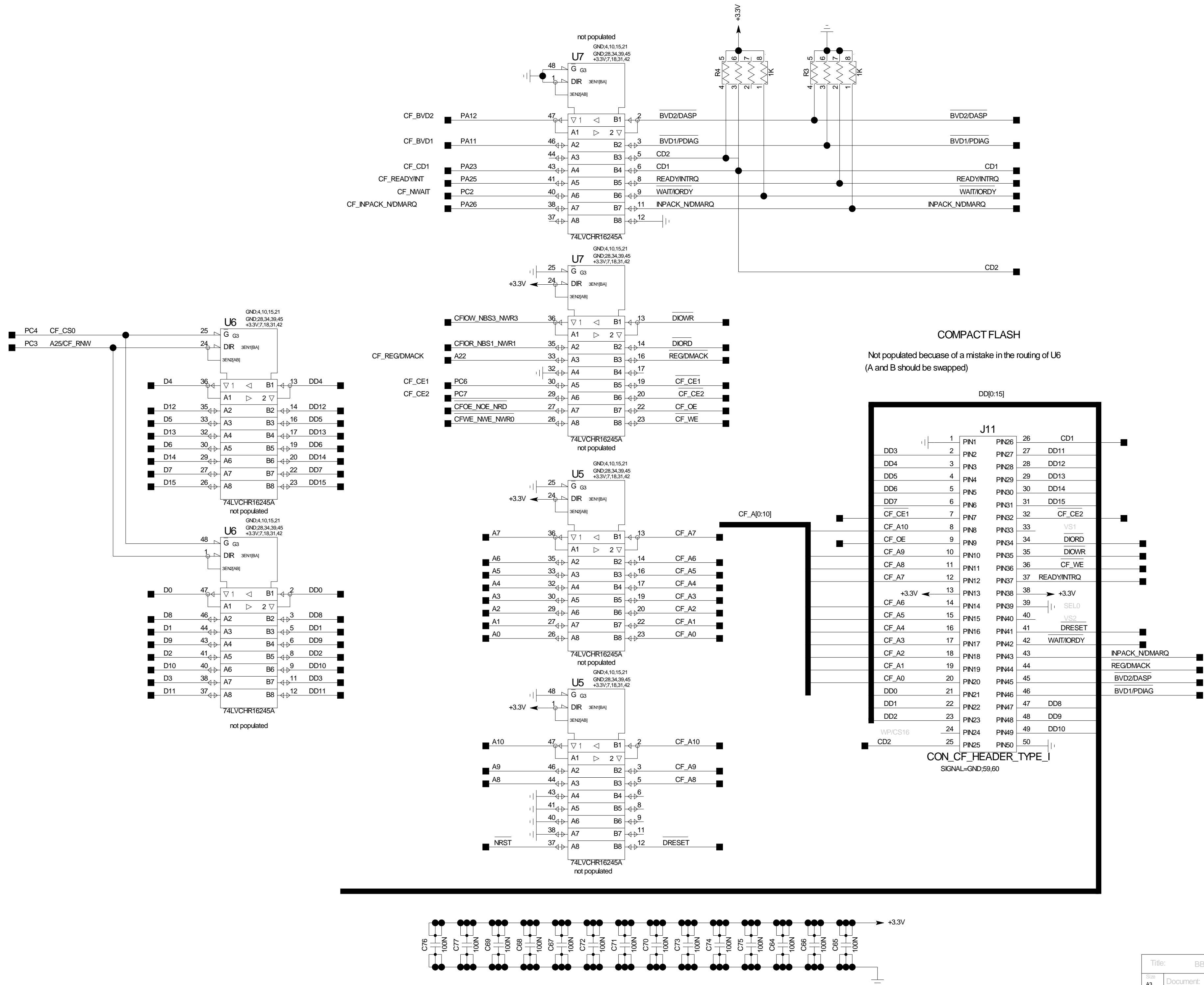
the new versions will fit only in 2.5V SODIMM200 connectors



BOOT Mode  
open - start internal boot loader  
close - boot from NOR Flash



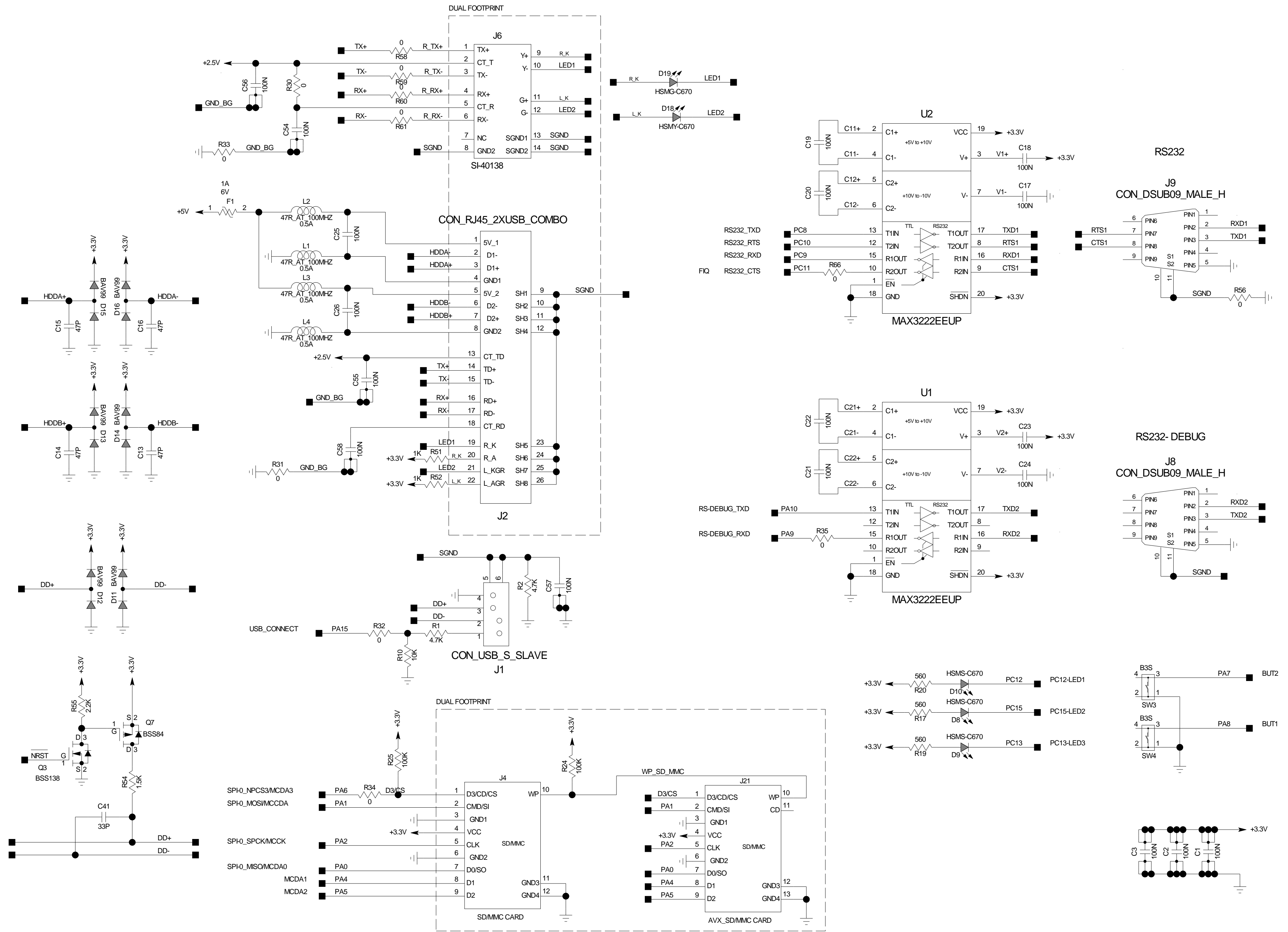
Title: BB9261 - BASE BOARD		
Size: A3	Document: POWER, SODIM200PIN	Rev: 1.1
Date:	Sheet: 1	of: 5



**COMPACT FLASH**  
Not populated because of a mistake in the routing of U6 (A and B should be swapped)

DD[0:15]		J11		
DD3	2	PIN1	PIN26	26 CD1
DD4	3	PIN2	PIN27	27 DD11
DD5	4	PIN3	PIN28	28 DD12
DD6	5	PIN4	PIN29	29 DD13
DD7	6	PIN5	PIN30	30 DD14
DD8	7	PIN6	PIN31	31 DD15
CF_CE1	7	PIN7	PIN32	32 CF_CE2
CF_A10	8	PIN8	PIN33	33 VS1
CF_OE	9	PIN9	PIN34	34 DIORD
CF_A9	10	PIN10	PIN35	35 DIOWR
CF_A8	11	PIN11	PIN36	36 CF_WE
CF_A7	12	PIN12	PIN37	37 READY/INTRQ
+3.3V	13	PIN13	PIN38	38 +3.3V
CF_A6	14	PIN14	PIN39	39 SELO
CF_A5	15	PIN15	PIN40	40 VS2
CF_A4	16	PIN16	PIN41	41 DRESET
CF_A3	17	PIN17	PIN42	42 WAIT/ORDY
CF_A2	18	PIN18	PIN43	43 INPACK_NDMARQ
CF_A1	19	PIN19	PIN44	44 REGDMACK
CF_A0	20	PIN20	PIN45	45 BVD2/DASP
DD0	21	PIN21	PIN46	46 BVD1/PDIAG
DD1	22	PIN22	PIN47	47 DD8
DD2	23	PIN23	PIN48	48 DD9
WP/CS16	24	PIN24	PIN49	49 DD10
CD2	25	PIN25	PIN50	50

**CON\_CF\_HEADER\_TYPE\_I**  
SIGNAL=GND;59,60



For better EMC 22R serial resistors should be used.

