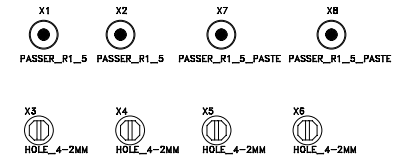
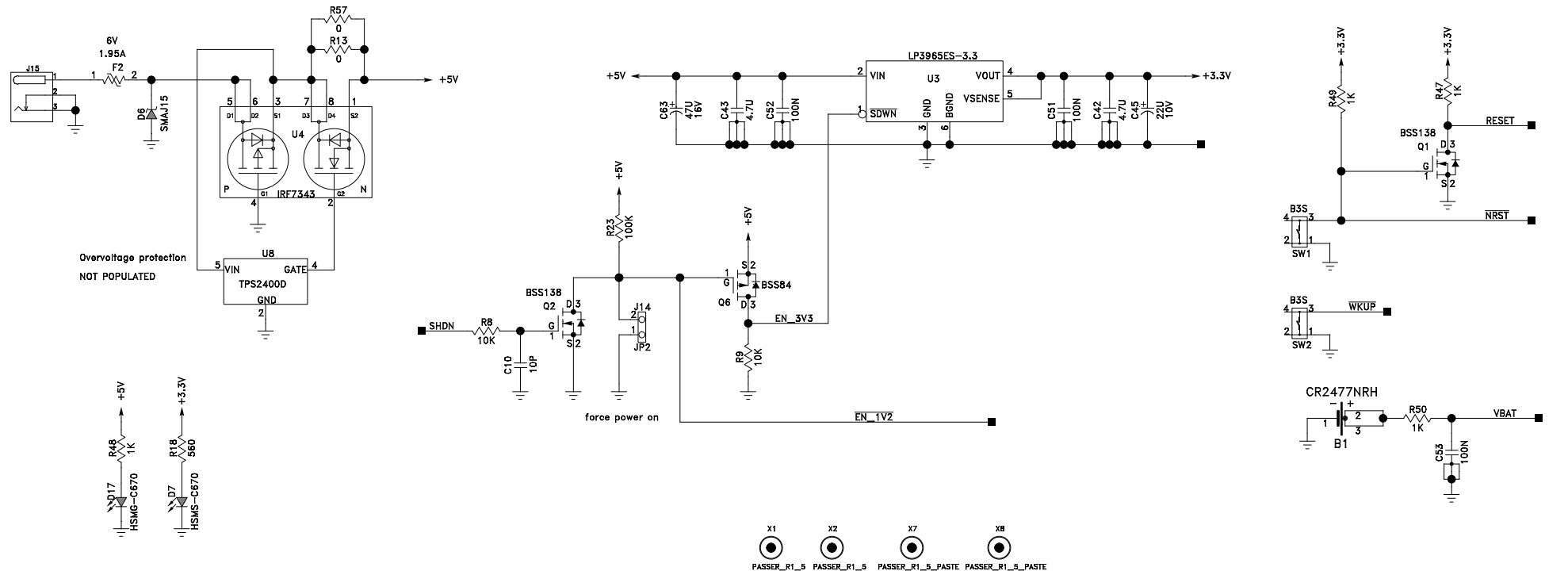
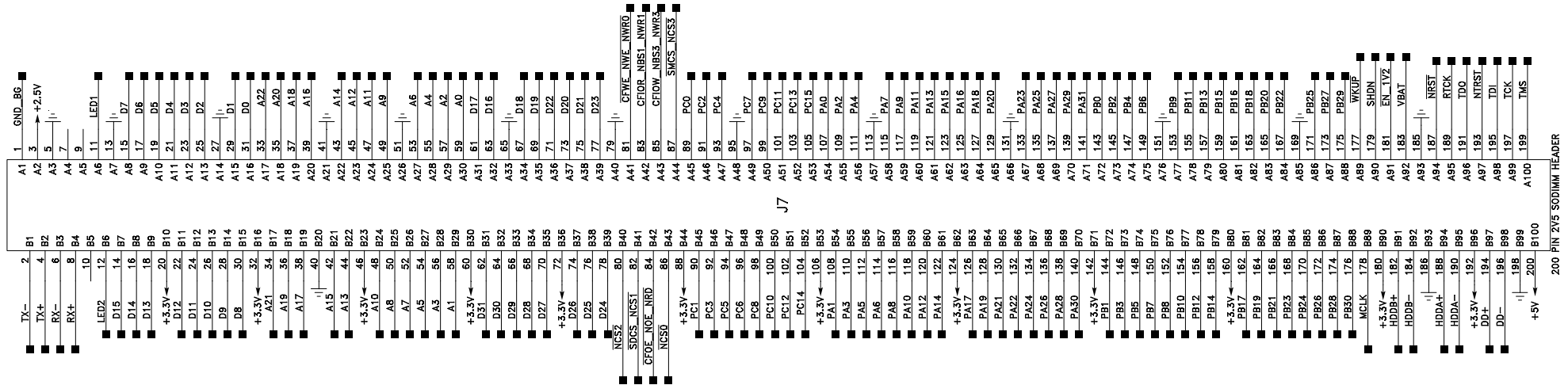


# BB9261 – Base Board for PM9261



Title: BB9261 – BASE BOARD			
Size: A3	Document: POWER, SODIM200PIN	Rev: 1.0	
Date:		Sheet 1	of 5

